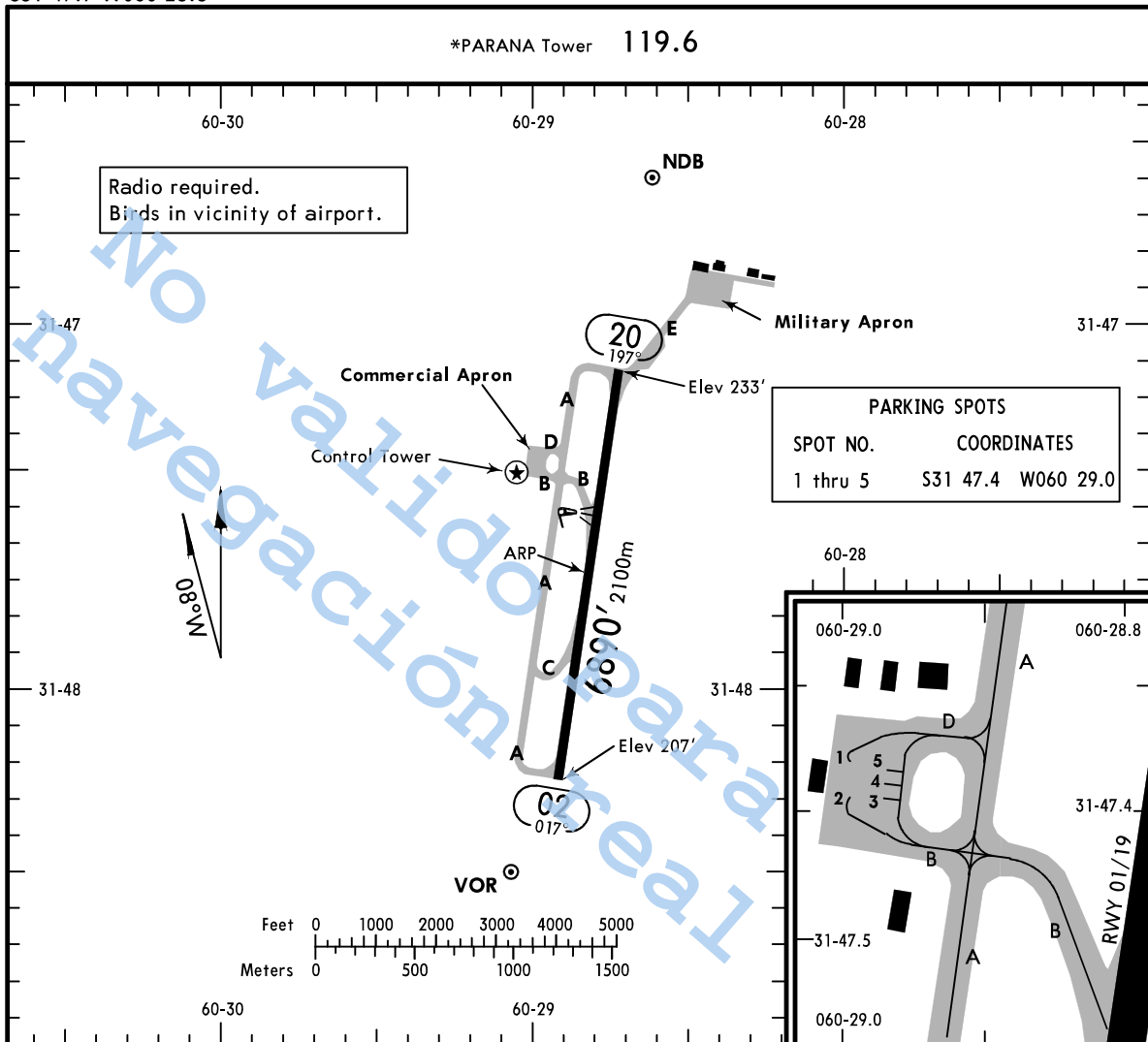


SAAP/PRA
 Apt Elev **233'**
 S31 47.7 W060 28.8

PARANA, ARGENTINA
 GEN URQUIZA



ADDITIONAL RUNWAY INFORMATION

RWY		USABLE LENGTHS		TAKE-OFF	WIDTH
		Threshold	Glide Slope		
02	RL				148'
20	RL		5776' 1761m		45m

TAKE-OFF

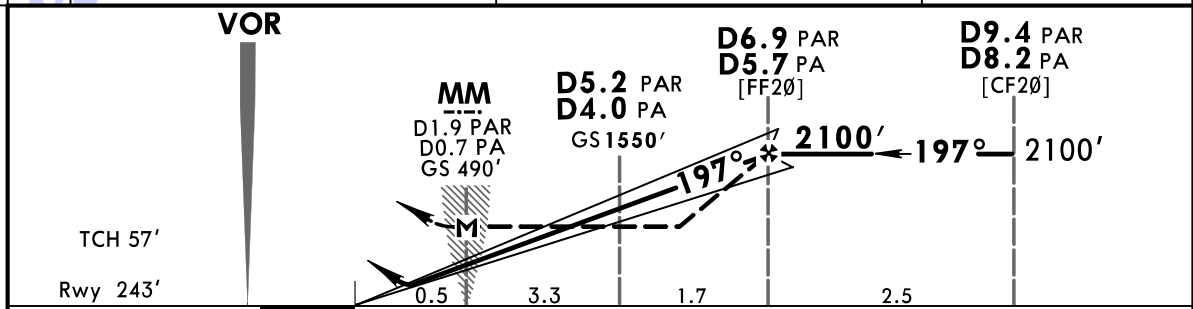
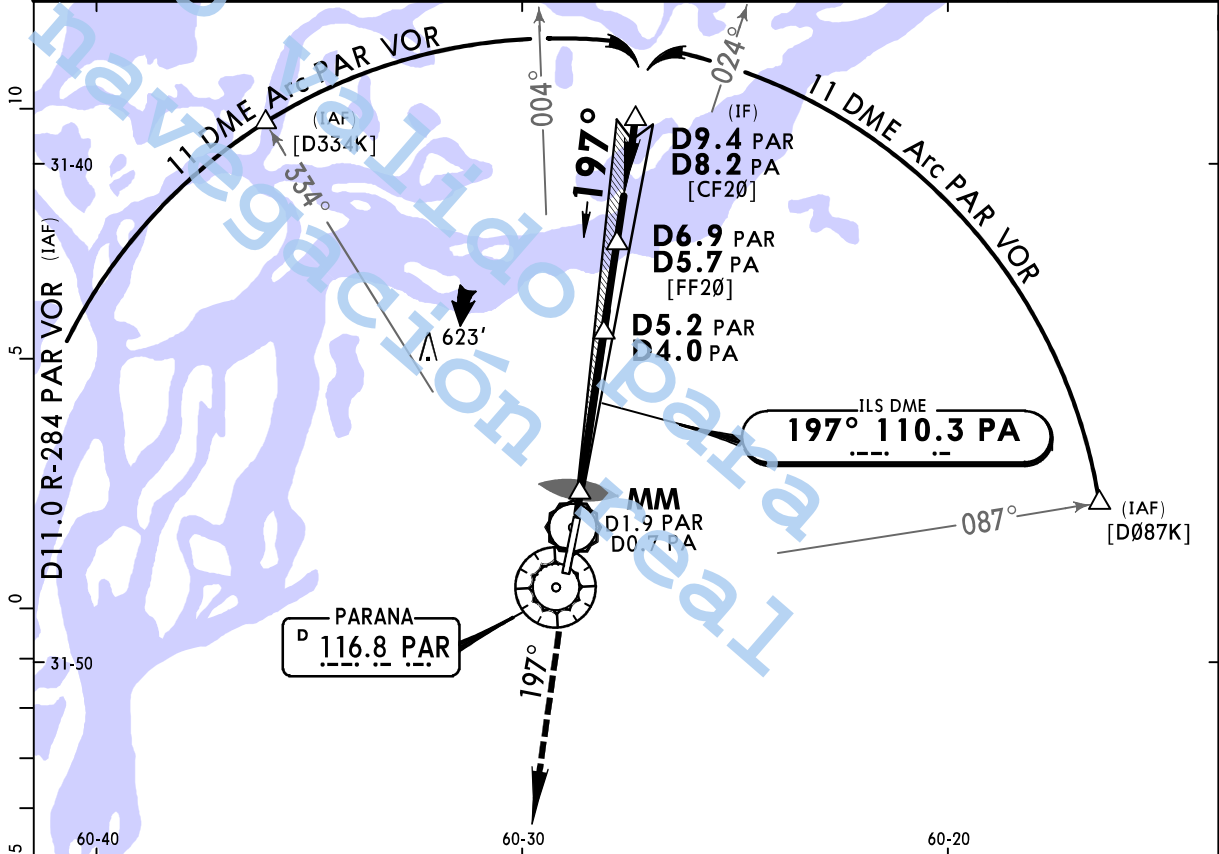
All Rwy's

2 Eng 1 hr Take-off Altn Apt Filed - 1 Eng inop		3 & 4 Eng 2 hr Take-off Altn Apt Filed - 1 or more Eng inop		2 Eng Take-off Altn Apt Not Filed		1 Eng		
With RL	Without RL		With RL	Without RL		With RL	Without RL	
	DAY	NIGHT		DAY	NIGHT		DAY	NIGHT
VIS 550m	2500m	NA	Available Landing Minimums	2500m	NA	Available Landing Minimums	3000m	NA

SAAP/PRA
GEN URQUIZA

PARANA, ARGENTINA
(WITHOUT HOLD) No. 1
VOR DME ILS DME Rwy 20

*PARANA Approach 119.6				*PARANA Tower 119.6	
LOC PA 110.3	Final Apch Crs 197°	GS D5.2 PAR D4.0 PA 1550' (1307')	ILS DA(H) 443' (200')	Apt Elev 242'	3000'
MISSED APCH: Maintain 197° climbing to 3000' and follow instructions from CONTROL.					
Alt Set: hPa		Rwy Elev: 9 hPa	Trans level: By ATC	Trans alt: 3000'	MSA PAR VOR



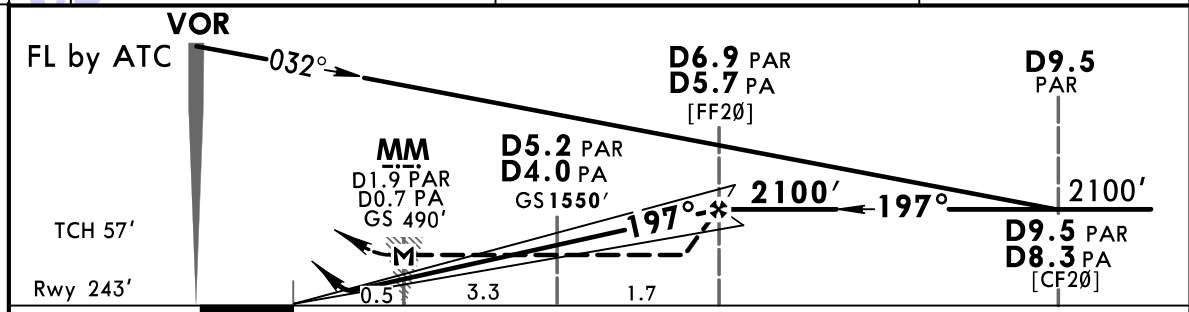
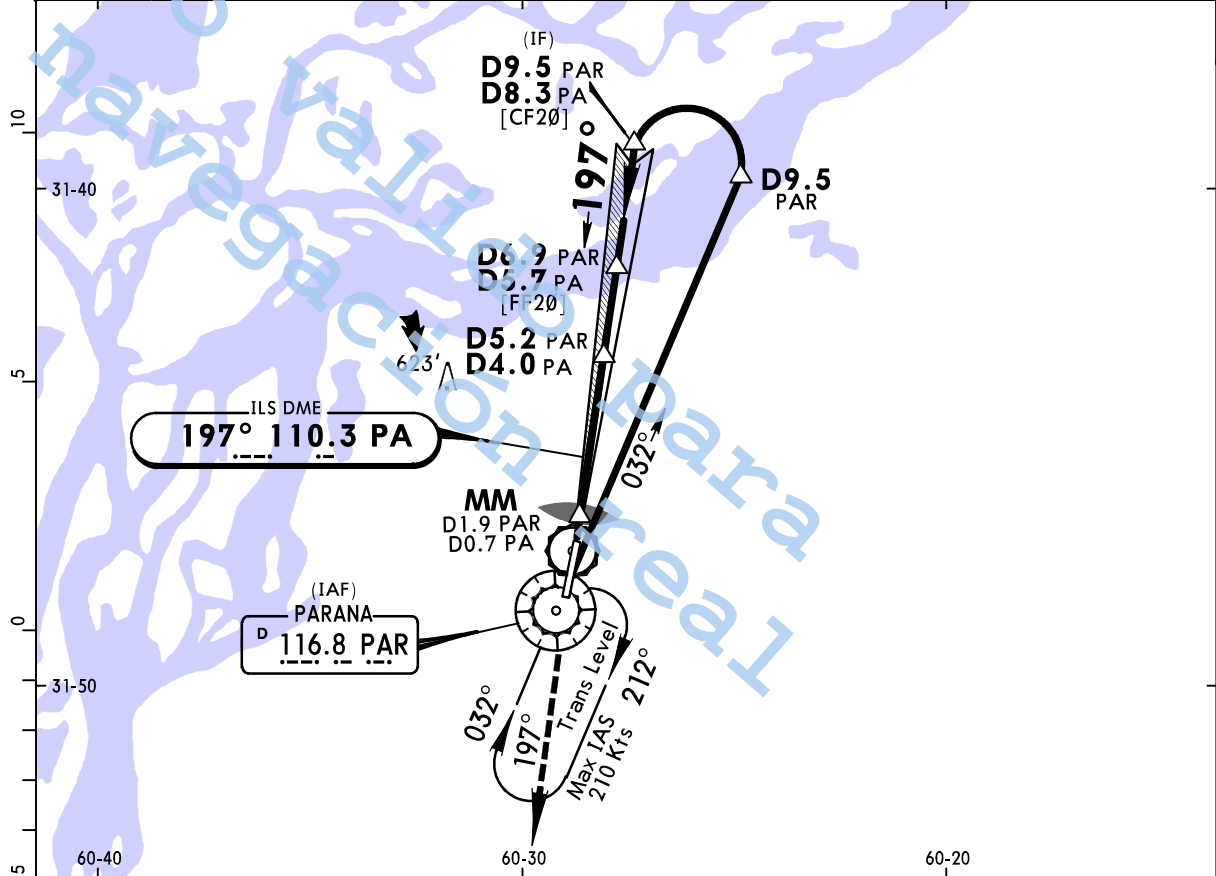
Gnd speed-Kts	70	90	100	120	140	160	197°	3000'
GS	3.00°	372	478	531	637	849		
MAP at MM								
FAF to MAP	5.0	4:17	3:20	3:00	2:30	2:09	1:53	

STRAIGHT-IN LANDING RWY20			CIRCLE-TO-LAND	
ILS DA(H) 443' (200')		LOC (GS out) MDA(H) 840' (597')		Not Authorized West of Rwy 02-20
A	1200m	2000m	Max Kts	MDA(H)
B			100	940' (698') -2000m
C			135	940' (698') -2800m
D			180	1000' (758') -3700m
			205	1000' (758') -4600m

SAAP/PRA
GEN URQUIZA

PARANA, ARGENTINA
No. 2
VOR DME ILS DME Rwy 20

*PARANA Approach 119.6				*PARANA Tower 119.6	
LOC PA 110.3	Final Apch Crs 197°	GS D5.2 PAR D4.0 PA 1550' (1307')	ILS DA(H) 443' (200')	Apt Elev 242'	3000'
MISSED APCH: Maintain 197° climbing to 3000' and follow instructions from CONTROL.					
Alt Set: hPa		Rwy Elev: 9 hPa	Trans level: By ATC	Trans alt: 3000'	MSA PAR VOR



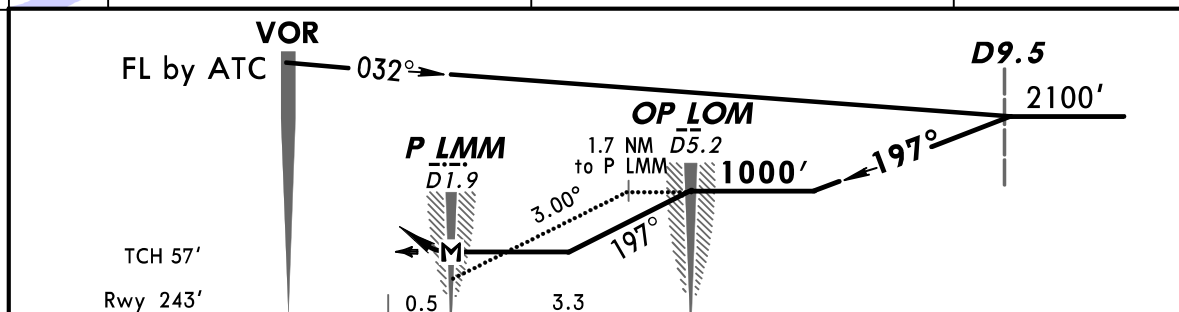
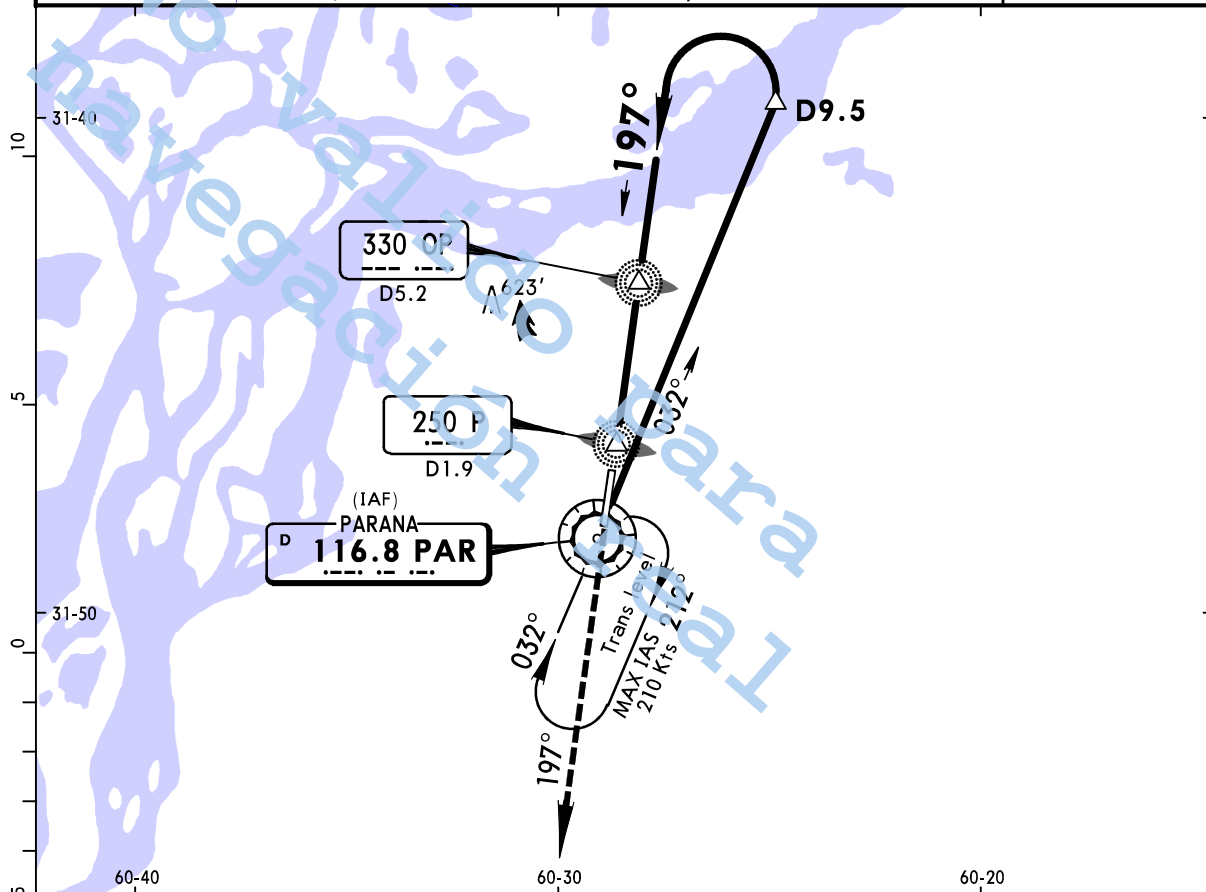
Gnd speed-Kts	70	90	100	120	140	160	197°	3000'
GS 3.00°	372	478	531	637	743	849		
MAP at MM								
FAF to MAP	5.0	4:17	3:20	3:00	2:30	2:09		

STRAIGHT-IN LANDING RWY20			CIRCLE-TO-LAND	
ILS DA(H) 443' (200')		LOC (GS out) MDA(H) 840' (597')		Not Authorized West of Rwy 02-20
A	1200m	2000m	Max Kts	MDA(H)
B			100	940' (698') -2000m
C			135	940' (698') -2800m
D			180	1000' (758') -3700m
			205	1000' (758') -4600m

SAAP/PRA
GEN URQUIZA

PARANA, ARGENTINA
No. 4
VOR DME Lctrs Rwy 20

*PARANA Approach 119.6			*PARANA Tower 119.6		
VOR PAR 116.8	Final Apch Crs 197°	Minimum Alt OP LOM 1000' (757')	MDA(H) (CONDITIONAL) 840' (597')	Apt Elev 242'	3000'
MISSED APCH: Maintain 197° climbing to 3000' and follow instructions from CONTROL.				Rwy 243'	
Alt Set: hPa	Rwy Elev: 9 hPa	Trans level: By ATC	Trans alt: 3000'	MSA PAR VOR	



Gnd speed-Kts	70	90	100	120	140	160	197°	3000'
Descent Angle 3.00°	372	478	531	637	743	849		
MAP at P LMM or OP LOM to MAP 3.3	2:50	2:12	1:59	1:39	1:25	1:14		

STRAIGHT-IN LANDING RWY20			CIRCLE-TO-LAND	
VOR & P LMM or VOR DME & OP LOM MDA(H) 840' (597')		VOR/OP LOM MDA(H) 940' (697')		Not Authorized West of Rwy 02-20
		Max Kts	MDA(H)	
A	2000m	100	940' (698')	-2000m
B	2800m	135	940' (698')	-2800m
C	2800m	180	1000' (758')	-3700m
D	3200m	205	1000' (758')	-4600m